

BCS Series

Electronic Crane Scales



- **Superb Quality**– Aluminium-casting case, high firm hook and shackle. GB/T11883-2002 and European CE directives
- **Strong Reliability**– Cutting edge technology, quality integrated circuit for high performance and long time stability
- **Three Popular Capacities**–
1000 kg / 2000 lb
3000 kg / 6000 lb
5000 kg / 10,000 lb
- **Visible LED Display**– Adjustable brightness for any environment
- **Dual Power**– Internal rechargeable battery or AC power
- **Remote Control**– Offers increased safety and convenience
- **Auto-Off Function**– Can be set from 0 to 60 minutes

VALUE IN
WEIGHING

BCS Series Electronic Crane Scales

Features

Brecknell crane scales are versatile, economic solutions for overhead material handling and weighing applications.

Remote Control: Puts all scale functions at your fingertips

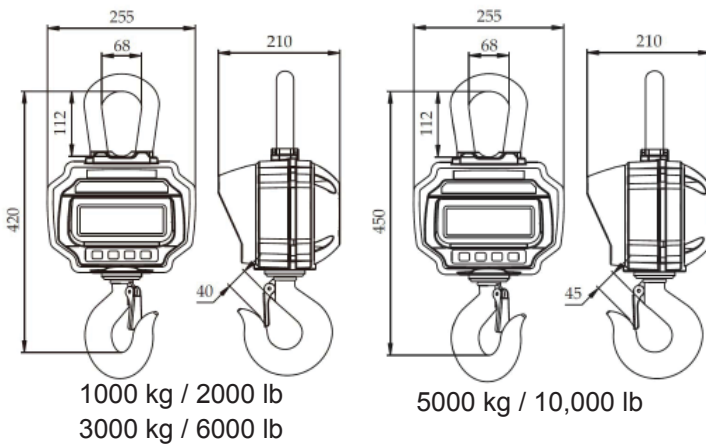
Elongated Upper Shackle: Accommodates thick hooks

Swivel Hook with Latch: Makes load connection easy and secure

Bright LED Display: Has three adjustable brightness levels for any environment

Dual Units of Measure: Displays kg or lb

Accumulator Function: Calculates total weight



Model	A	B	C	L
BCS-1000	68 mm / 2.67"	112 mm / 4.4"	40 mm / 1.5"	420 mm / 16.5"
BCS-3000	68 mm / 2.67"	112 mm / 4.4"	40 mm / 1.5"	420 mm / 16.5"
BCS-5000	68 mm / 2.67"	112 mm / 4.4"	40 mm / 1.5"	450 mm / 17.7"

Part Number:

816965006618: 2000 lb / 1000 kg

816965006625: 6000 lb / 3000 kg

816965006632: 10,000 lb / 5000 kg



a division of Avery Weigh-Tronix, LLC

Brecknell

1000 Armstrong Dr., Fairmont, MN 56031
Toll free: 800-637-0529, Tel: 507-238-8702
Fax: 507-238-8271
e-mail: sales@brecknell scales.com
www.brecknell scales.com



Brecknell

Foundry Lane, Smethwick
West Midlands B66 2LP UK
Tel: +44 (0) 845 246 6717
Fax: +44 (0) 845 246 6718
Email: sales@brecknell scales.co.uk
www.brecknell scales.co.uk



Specifications

Capacities: 1000 kg x 0.5 kg / 2000 lb x 1 lb
3000 kg x 1 kg / 6000 lb x 2 lb
5000 kg x 2 kg / 10,000 lb x 5 lb

Accuracy: +/- 0.1% of full scale

Factory Calibration: 39° latitude optimized

Dimension: 255 mm (L) x 210 mm (W) x 440 mm (D)
10" L x 8" W x 17" H

Power:

Crane: 7.2VDC power adapter, 1000mA with central positive and 6V/4.0Ah lead acid rechargeable battery (both included)

Remote Control: Two AA batteries (included)

Options:

AWT05-508543 - Power adapter

AWT05-503633: Remote control

Typical Battery Life: Depending on LED brightness and idle mode setting, battery works from 60 hrs to 200 hrs

Charging Time: Approximately 12 hrs; red LED charging, green finished

Display: 35 mm / 1.4" ultra-bright LED

Remote Functions: Zero, tare, hold, acc, del F1, F2, off, 2nd

Remote Distance: Maximum 10 m / 32'

Tare Range: 100% F.S.

Zero Range: 4% F.S.

Stable Time: ≤10 sec

Overload: 100% F.S. + 9 divisions

Overload Indication: Internal counter at +9 divisions F.S.

Ultimate Safety Factor: 400% F.S.

Safety Load: 150% F.S. of capacity

Operating Temperature: -10° C to 40° C / 14° F to 104° F

Operating Humidity: 20° C ≤90%

Shipping Weight: 12.65 kg / 27.88 lb

Packaging Dimension:

600 mm (L) x 270 mm (W) x 310 mm (H)
23" L x 10" W x 12" H

Accuracy Class: GB/T 11883-2002 Class III

Agency Approvals: CE, EC Machinery Directive