



**Model MB130
Baby Scale
User Manual**



8535-M155-O1 Rev C 03/15
CARDINAL SCALE MFG. CO.
PO BOX 151 • WEBB CITY, MO 64870
PH (417) 673-4631 • FAX (417) 673-5001
www.detectoscale.com

Technical Support: Ph: 866-254-8261 • techsupport@cardet.com

TABLE OF CONTENTS

INTRODUCTION	1
SPECIFICATIONS	1
SCALE ASSEMBLY	2
AC POWER ADAPTOR	4
INSTALLING/REPLACING THE BATTERY	5
KEY FUNCTIONS	6
DISPLAY ANNUNCIATORS	6
ERROR MESSAGES	7

FCC COMPLIANCE STATEMENT

This equipment generates uses and can radiate radio frequency and if not installed and used in accordance with the instruction manual, may cause interference to radio communications. It has been tested and found to comply with the limits for a Class A computing device pursuant to Subpart J of Part 15 of FCC rules, which are designed to provide reasonable protection against such interference when operated in a commercial environment. Operation of this equipment in a residential area may cause interference in which case the user will be responsible to take whatever measures necessary to correct the interference.

You may find the booklet "How to Identify and Resolve Radio TV Interference Problems" prepared by the Federal Communications Commission helpful. It is available from the U.S. Government Printing Office, Washington, D.C. 20402. Request stock No. 001-000-00315-4.

PROPER DISPOSAL

When this device reaches the end of its useful life, it must be properly disposed of. It must not be disposed of as unsorted municipal waste. Within the European Union, this device should be returned to the distributor from where it was purchased for proper disposal. This is in accordance with EU Directive 2002/96/EC. Within North America, the device should be disposed of in accordance with the local laws regarding the disposal of waste electrical and electronic equipment.

It is everyone's responsibility to help maintain the environment and to reduce the effects of hazardous substances contained in electrical and electronic equipment on human health. Please do your part by making certain that this device is properly disposed of. The symbol shown to the right indicates that this device must not be disposed of in unsorted municipal waste programs.



COPYRIGHT

All rights reserved. Reproduction or use, without expressed written permission, of editorial or pictorial content, in any manner, is prohibited. No patent liability is assumed with respect to the use of the information contained herein.

DISCLAIMER

While every precaution has been taken in the preparation of this manual, the Seller assumes no responsibility for errors or omissions. Neither is any liability assumed for damages resulting from use of the information contained herein. All instructions and diagrams have been checked for accuracy and ease of application; however, success and safety in working with tools depend to a great extent upon the individual accuracy, skill and caution. For this reason the Seller is not able to guarantee the result of any procedure contained herein. Nor can they assume responsibility for any damage to property or injury to persons occasioned from the procedures. Persons engaging the procedures do so entirely at their own risk.

Serial Number _____
Date of Purchase _____
Purchased From _____

RETAIN THIS INFORMATION FOR FUTURE USE

INTRODUCTION

The Model MB130 Baby Scale is a 44lb (20kg) capacity battery-operated baby scale. The scale is equipped with a removable baby tray to allow weighing small children. With a 9-volt battery (not included) the scale can be used as a portable scale or with the included 9VDC AC Power Adapter the scale can be used in a fixed location.

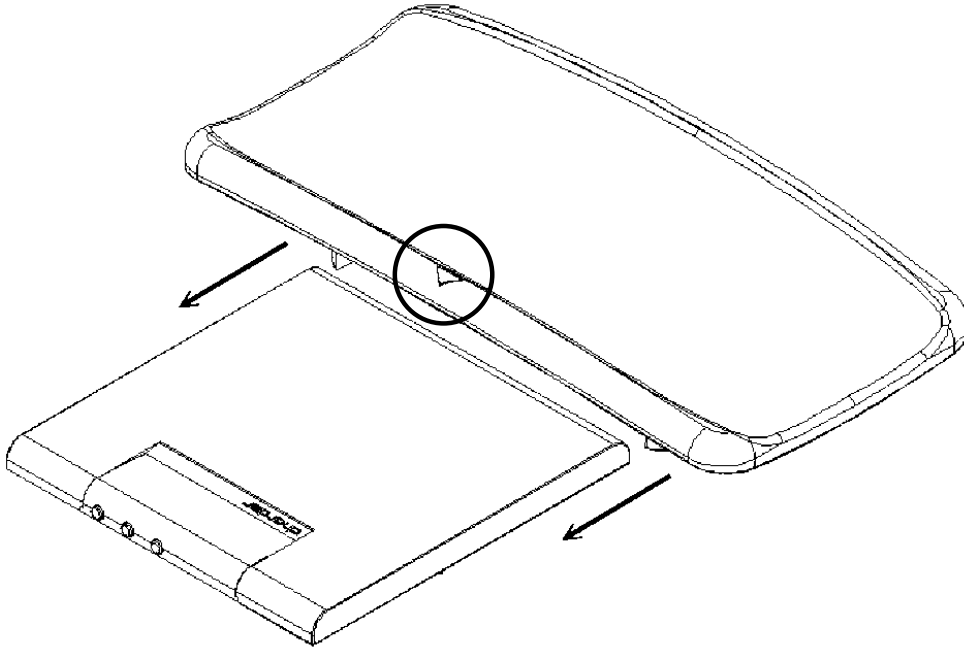
This manual contains information on the operation of this scale. Please read it before attempting to use the scale and keep it handy for future reference.

SPECIFICATIONS

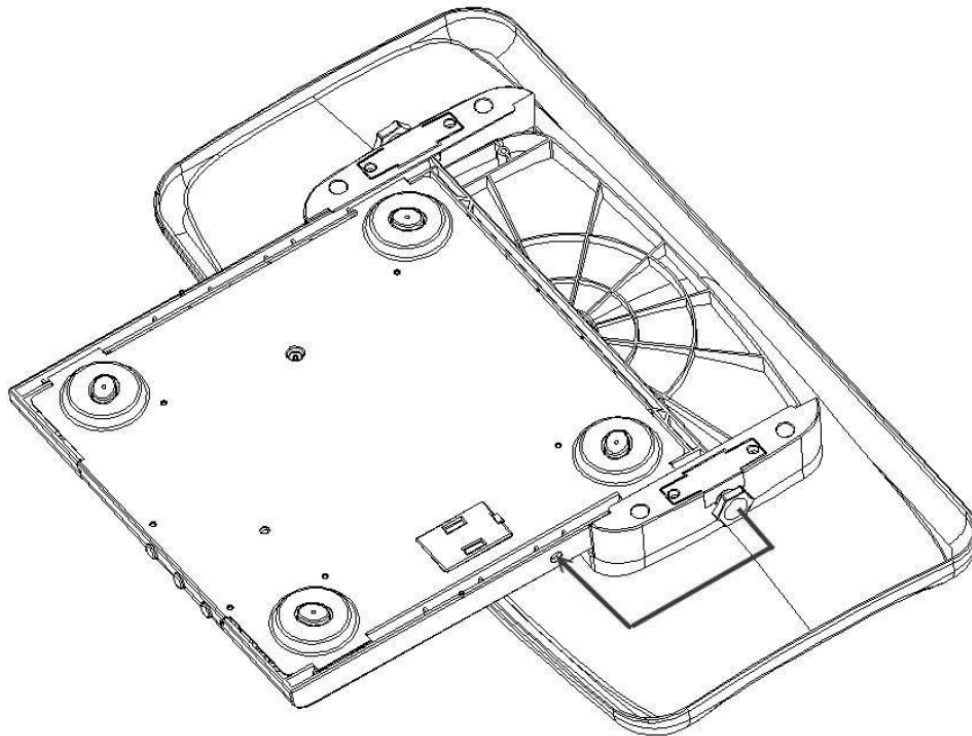
Capacity:	22/44 lb (10/20 kg.)
Division:	11 to 22 lb x 0.01lb (5 to 10 kg x 5g) 22 to 44 lb x 0.02lb (0 to 20 kg x 10g)
Tray:	Removable to allow scale to weigh babies or small children
Weight Units:	lb/kg
Function Keys:	ON/ZERO/OFF, UNIT, and HOLD
Stabilization Time:	1 to 2 Seconds
Operating Temperature:	41° to 95°F (5° to 35°C)
Display:	1.0" (25 mm) LCD display with 5 active digits
Power Requirements:	9-volt battery (not included) or 9VDC AC Power Adapter (included)
Power Saving Feature:	Auto Shut-off after 2 minutes
Dimensions:	
Tray:	22" L x 11 1/4" W x 3 3/4" H (560 x 286 x 96 mm)
Scale:	12 5/8" L x 12 1/4" W x 1 5/16" H / (320 x 310 x 33 mm)

SCALE ASSEMBLY

1. Install tray from the rear of scale, sliding it to the front of scale (toward the display). Note that arrow on tray should point to front of scale.

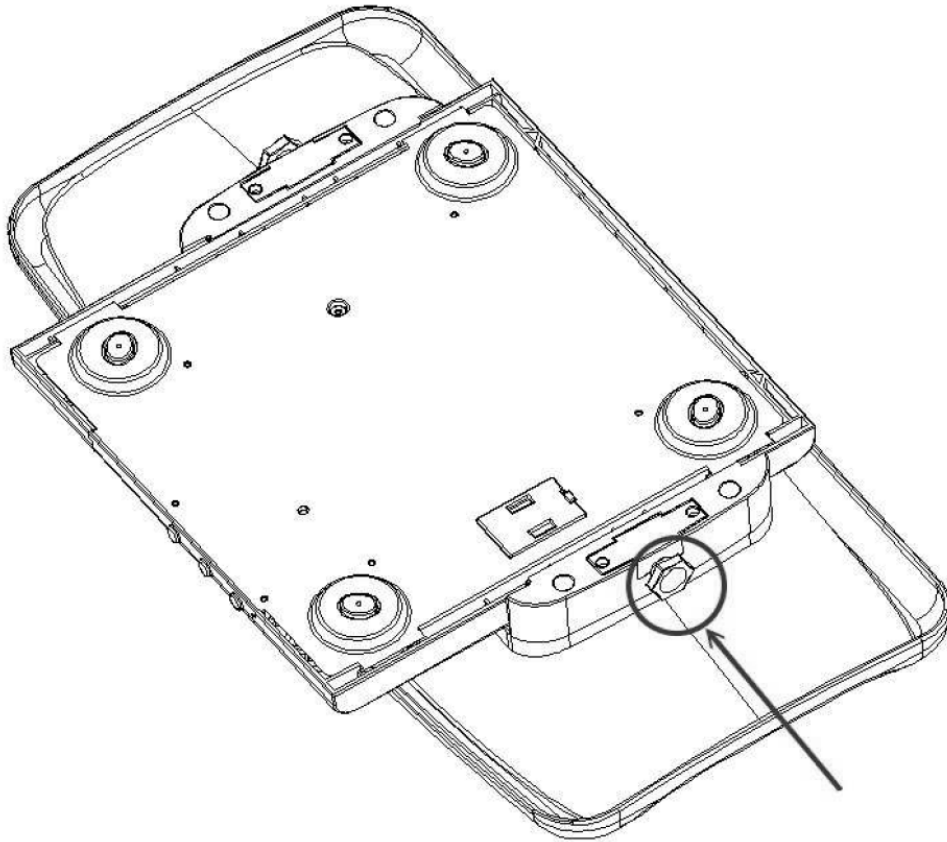


2. Turn scale upside down to screw tray and platform together properly.

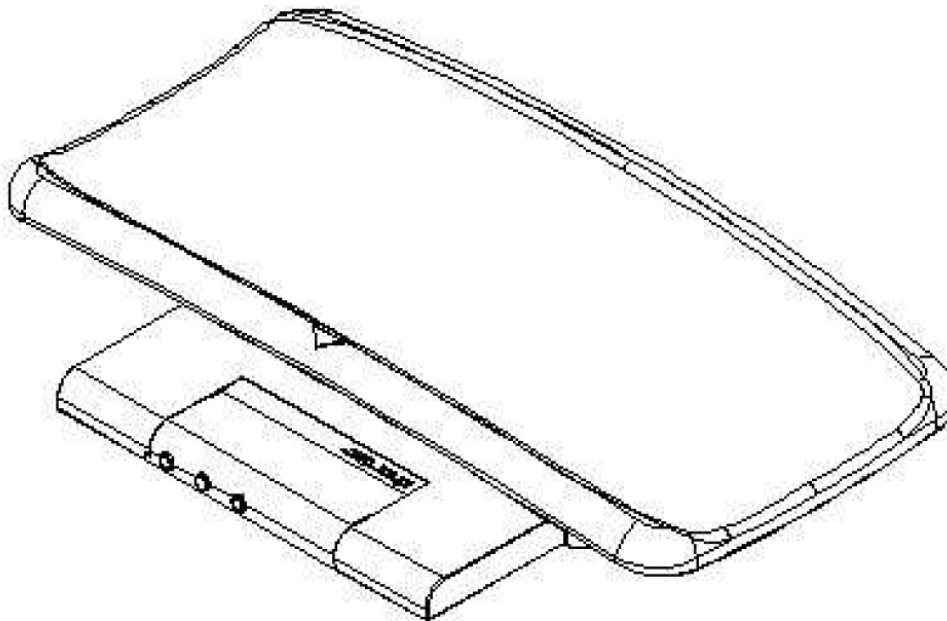


SCALE ASSEMBLY, CONT.

3. Hand-tighten the screws to secure the tray to the platform

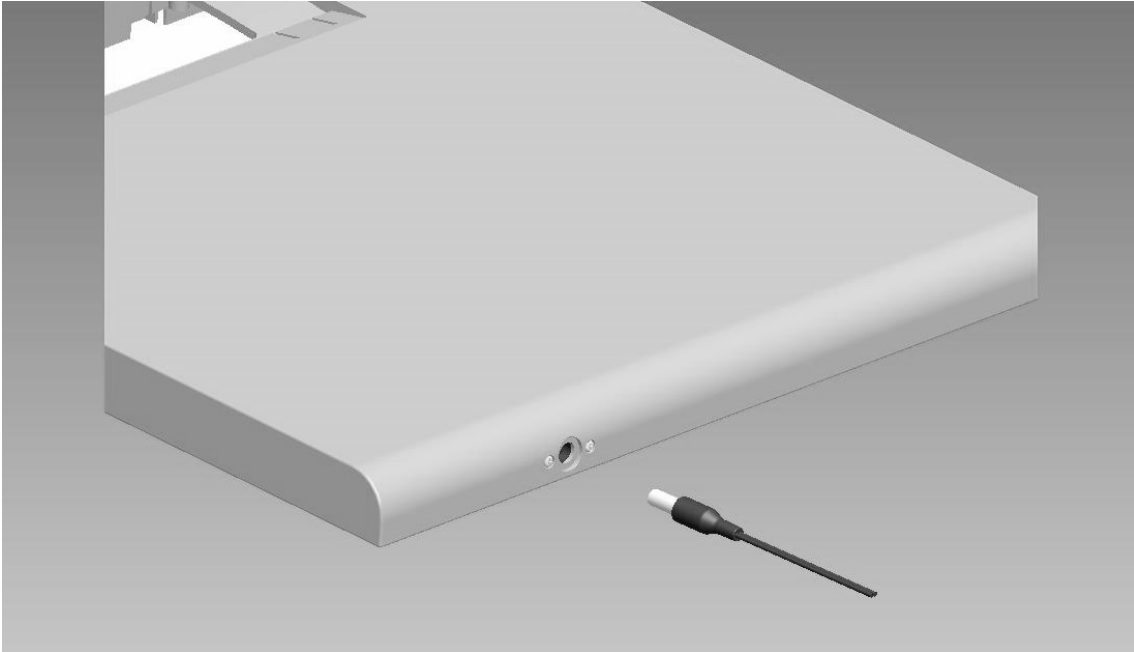


4. Scale assembly is finished. Turn scale over to begin weighing operations.

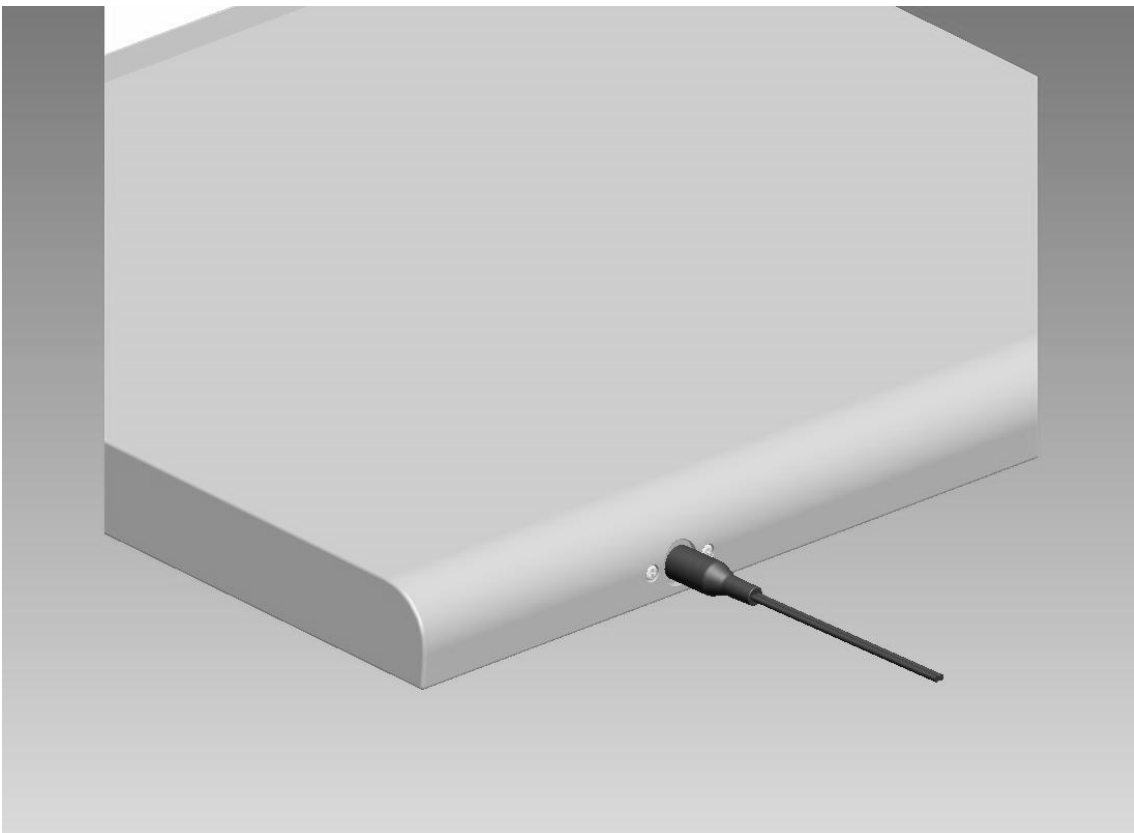


AC POWER ADAPTOR

1. Locate AC Power adaptor jack at rear of scale.



2. Install AC Power Adaptor into jack on rear of scale as shown below.

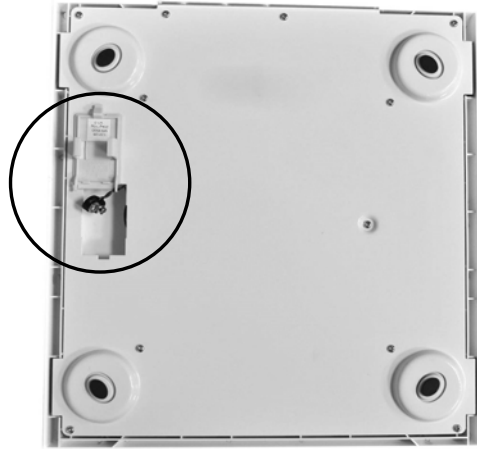


INSTALLING/REPLACING THE BATTERY

1. Turn scale upside down to locate battery housing.



2. Remove battery housing from scale.



3. The scale uses a 9VDC battery.



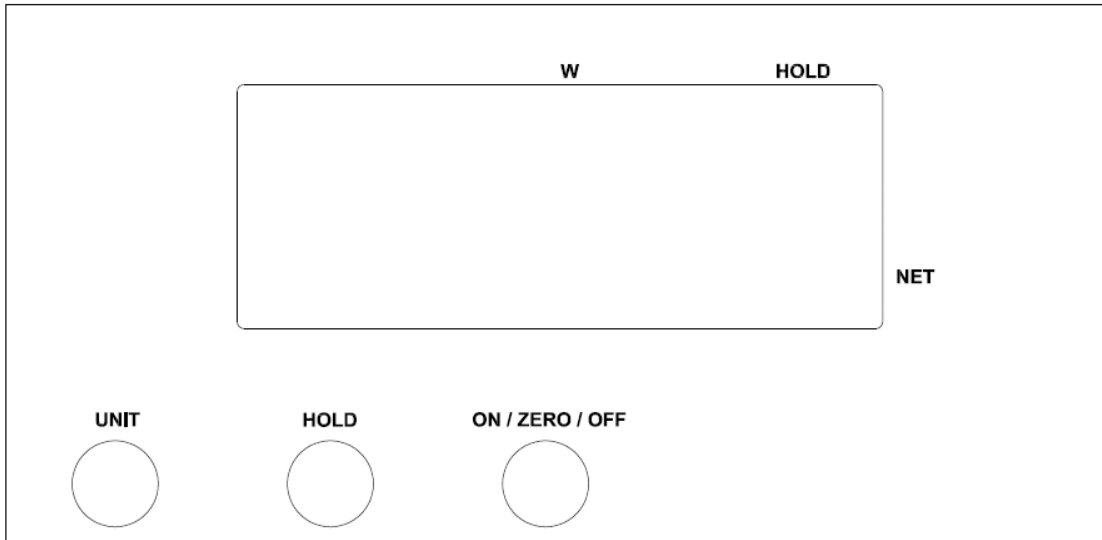
4. Install the 9VDC battery.



5. Replace battery housing in scale to complete procedure.



KEY FUNCTIONS



NEVER leave an infant or child unattended while on the scale. Failure to maintain control of infant or child at all times while they are on the scale can result in serious injury to infant or child.

KEYS

ON/ZERO/OFF

1. Press this key to turn the scale ON.
2. Press this key to zero the scale before starting the weighing operation or to zero off the weight of an item (i.e. blanket, pad or toy) on the scale ($\pm 2\%$ of full capacity).
3. Press this key and hold for 3 seconds to turn the scale OFF.

HOLD

1. Press this key to hold the weight value while weighing.
2. Press this key again to disable the weight hold function.

UNIT

1. Press this key to change the weighing units from lb to kg or kg to lb.

DISPLAY ANNUNCIATORS

W The **W** annunciator is located in the top center of the display. An arrow will be turned on to indicate the weight is at zero and the scale is ready to use.

HOLD The **HOLD** annunciator is located at the top right of the display. An arrow will be turned on and *Hold* be shown on the display for a few seconds to indicate that the weight from the last weighing operation is being held and the baby or child can be removed from the scale. This feature is useful if the baby or child is very active.

NET The **NET** annunciator is located in the right corner of the display. An arrow will be turned on to show that the weight displayed is net weight. Net weight is determined by zeroing the weight of an item from the scale such as blankets, pads or toys. This insures that only the baby's or child's weight is displayed.

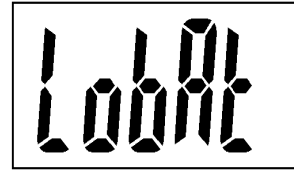
kg The **kg** annunciator is turned on to indicate the weight shown is in kilograms.

lb The **lb** annunciator is turned on to indicate the weight shown is in pounds.

ERROR MESSAGES

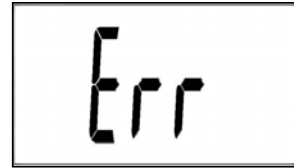
■ Low Battery

This message indicates that the battery should be replaced soon. If the battery voltage drops too low, continued use with a low battery can affect weighing accuracy. Remove the old battery and replace with a new battery for operation.



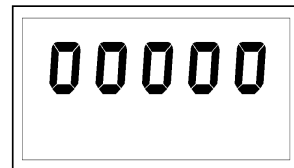
■ Over Load

The load is over the scale capacity. Reduce the load and try again. If the trouble still exists, please call your scale service representative.



■ Over Zero

The load is over the limit the scale can zero when powering on. Reduce the load and try again. If the trouble still exists, please call your scale service representative.



■ Under Zero

The load is under the limit when powering on. Power OFF scale and try again. If the trouble still exists, call your scale service representative.



